



SGFE

WINDOOR & FACADE



An ISO 9001:2015
Certified Organisation



BCA Registered Contractor



FAST MOVING COMPANIES™

📍 22 Sin Ming Lane #06-76, Singapore 573969 | ☎ +65 6900 0872 | 📠 +65 6460 0190

📞 +65 9177 0633 | ✉ sales@sgfe.com.sg | 🌐 www.sgfe.com.sg

COMPANY INTRODUCTION

SG Facade Engineering Pte Ltd (Short for SGFE) is devoted to the industry of building facade. At SGFE, we put our customers before ourselves. We aim to forge and maintain long-standing relationships with our clients – instilling in them, utmost trust and confidence in our services. As such, we are extremely committed in providing an impeccable experience, specially tailored to cater to our clients' every need. We are dedicated in offering quality products at competitive pricings, coupled with top-notch performance.





The development and acceptance of our products are the result of scrupulous planning, starting from finest details and right up to the realisation of a wide range of solutions, characterised by careful design and high level of technical performance guaranteed for each individual component. We seek aesthetic quality, practicality and innovation in the creation of profiles according to the needs of the customer. The acceptance of our products has come from careful attention which SGFE has always paid and invested in until the finest detail.

TECHNICAL SUPPORT

Thanks to the professionalism and versatility of our technical department, we are able to supply customers with active and complete collaboration in terms of designs, in order to achieve the best results together and to realise a product distinguished by its performance, practicality, simplicity and aesthetic quality. When you deal with SGFE, we are into the finest details of your projects.

SAFETY MANAGEMENT POLICY

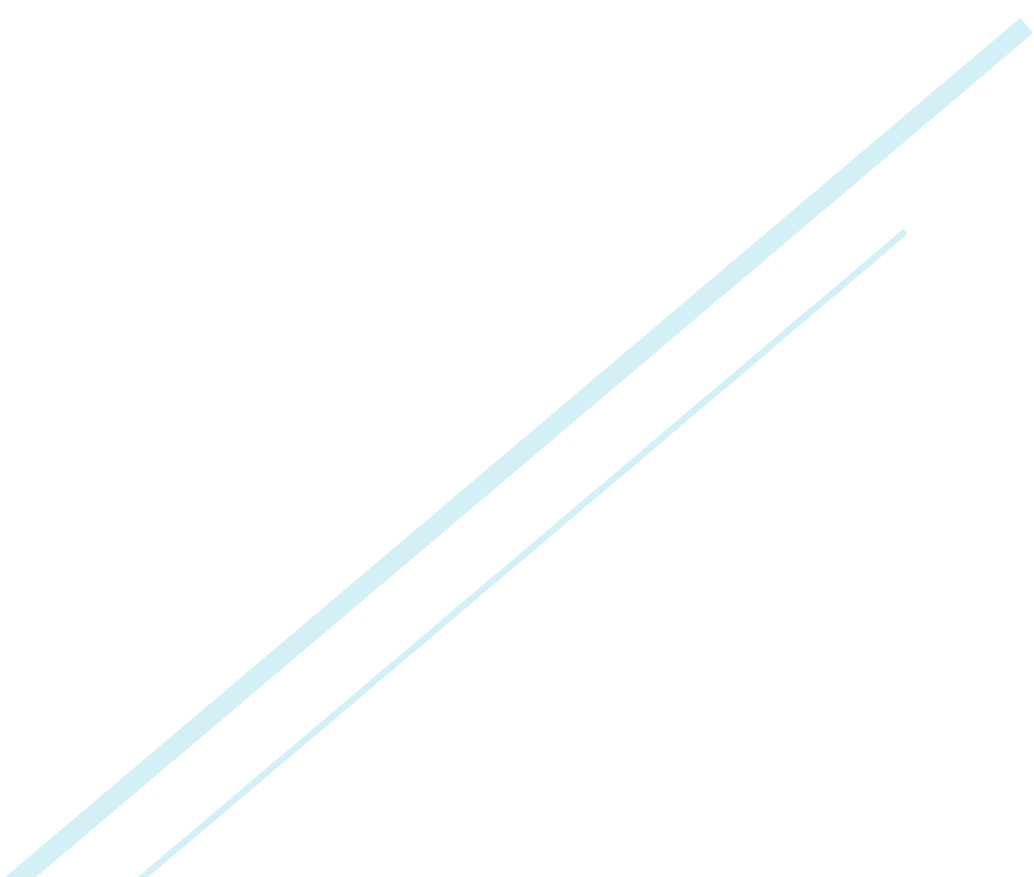
“Observing safety at all times in our daily work and environment is the ultimate goal of the Company and the Management in accident prevention.”

It is the policy of SGFE, to ensure a safe and healthy working environment for its staffs, workers, sub-contractors and the public, & prevent damage to property & materials. Providing a safe working environment is the responsibility of the Management and the workers. As such, all efforts and resources will be made available to obtain the cooperation and participation of all concerned parties. No undue risks shall be taken in the name of expedience and all contractors are encouraged to promote safe working practices and good housekeeping among its employees and to maintain equipment in good and safe working order.

WSH practice and documents are regularly reviewed, updated and improved for a better WSH Management System.

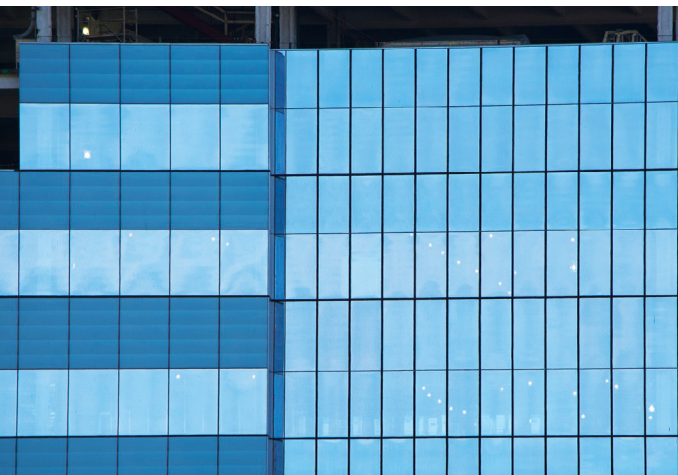
A Safety Statement has been developed to comply with relevant Health & Safety standards and to ensure that clients and employees are fully aware of our commitment to high standards in Health & Safety.

OBJECTIVES OF THE SAFETY STATEMENT

- To provide a reference for the policies and procedures used on site and to assess and audit the levels of health and safety being achieved.
 - To provide evidence that the policies and procedures to ensure health and safety objectives are met and have been thought out and documented in order to help those who must execute them.
 - To provide a control document to record the pertinent changes to the Company Safety Statement, which become necessary due to the changing business environment.
 - To help identify training requirements that needs to be fulfilled in order to generate suitably qualified personnel to carry out the policies and procedures contained within the document.
 - To provide assurance that compliance with legal requirements for health and safety are being met or exceeded.
- 

CURTAIN WALL SYSTEM

A curtain wall system is an outer covering of a building in which the outer walls are non-structural, but merely keep the weather out and the occupants in.



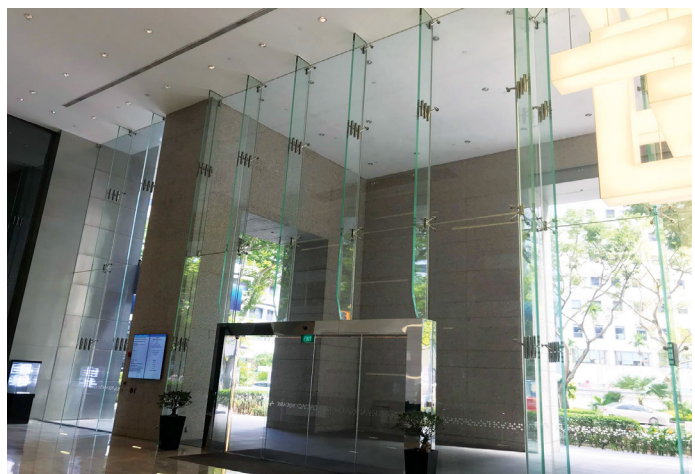
Unitized Curtain Wall



Semi-Unitized Curtain Wall



Stick System Curtain Wall



Point Supported Glass System

Fully-Unitized System, Pressure Equalized System

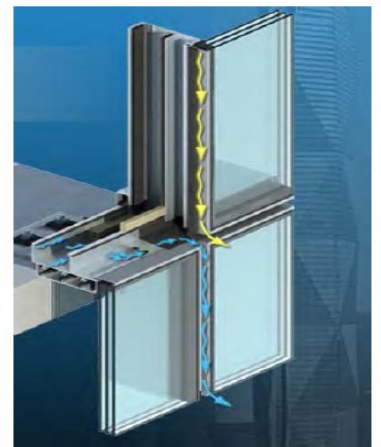


Unitized Curtain Walls is factory-assembled and glazed, then shipped to the job site in units that are typically one lite wide by one floor height. Only one unit-to-unit splice (usually a silicone sheet or patch) needs to be field-sealed, and only one anchor per mullion needs to be attached to the face or top of the floor slab. Interlocking unitized curtainwall frame members are weatherripped to seal to one another, both horizontally and vertically.

This accommodates thermal expansion and contraction, inter-story differential movement, concrete creep, column foreshortening, and/or seismic movement. Most unitized curtainwall systems are installed in a sequential manner around each floor level, moving from the bottom to the top of the building.



Unitized System Module



Rain Screen Principle – Open Joint & Pressure Equalized



*3D Adjustable Bracket
accommodating structure tolerance up to +25mm*



Thermal Break Design

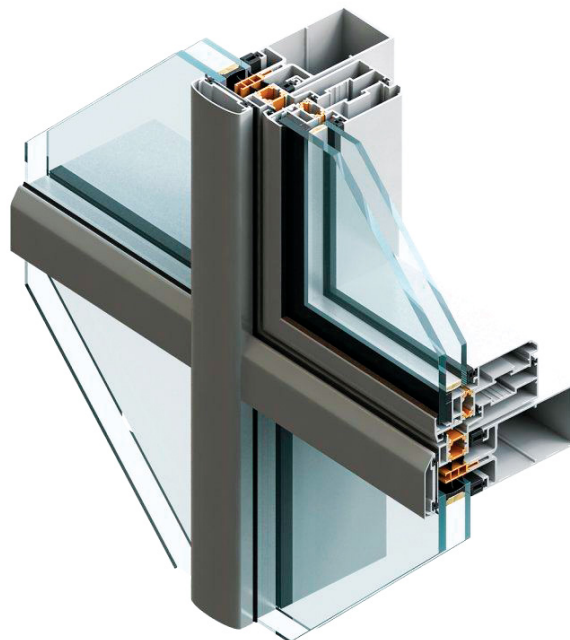
Semi-Unitized System

Semi-unitized Curtain Wall has the combined features of stick curtain wall and unitized curtain wall. Its basic structural principle is to fabricate other curtain wall components with the exception of main keels, to assemble them into unitized panel and then deliver to site to be fixed on main keel.



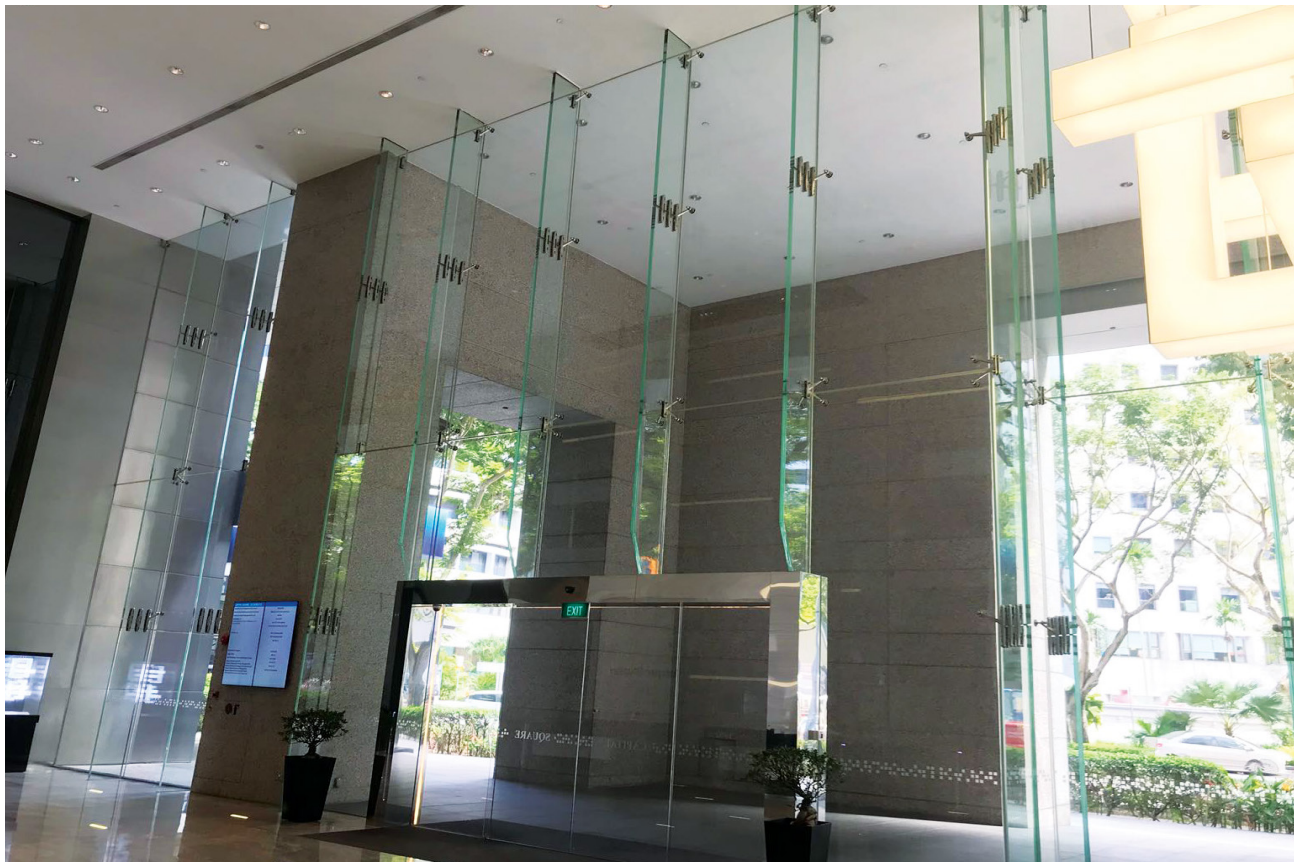
Stick System

Stick Curtain Wall System is shipped in pieces for field-fabrication or assembly. These can be furnished as “stock lengths” to be cut, machined, assembled, and sealed in the field, or as “knocked down” (KD) parts pre-machined in the factory, for field assembly and sealing only. All stick curtainwalls are field-glazed. Frame assembly requires the use of either, a) “shear blocks” to connect vertical and horizontal framing elements, or b) “screw-spline” construction, in which assembly fasteners feed through holes in interlocking vertical stacking mullions into extruded races in horizontals.



Point Supported Glass System

Point-supported canopies and facades are comprised of stainless steel spider fittings and laminated tempered glass to resist wind load requirements. Glass attachment fittings are designed to flex when the glass is under loading to reduce stresses in the glass at the fitting connections. Spider fittings are typically bolted to a steel back-up structure or structural glass fins.



WINDOWS & DOORS

Windows and Door systems are the basic and fundamental of all building structures.

- Aluminium
- UPVC

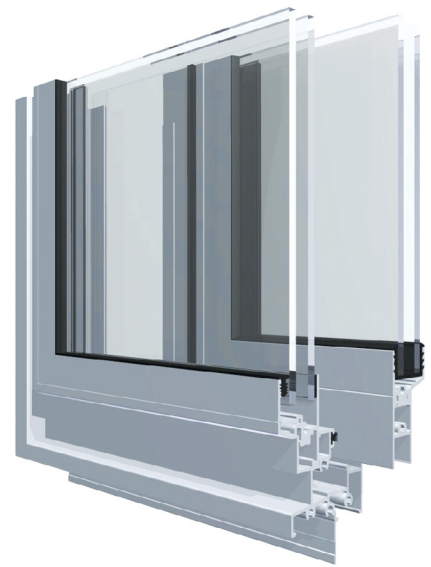


Doors

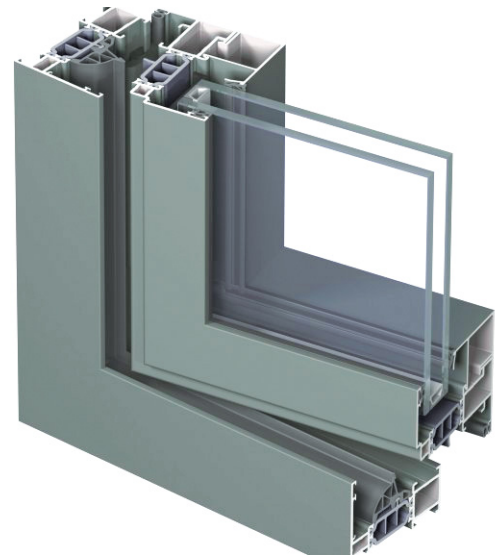


Windows

Doors



Windows



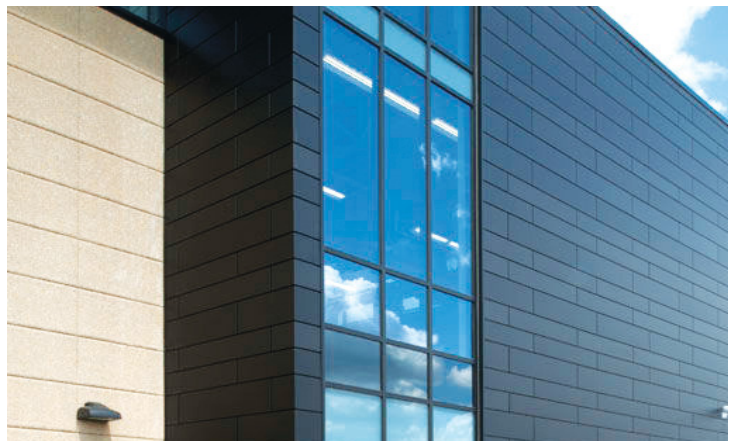
CLADDING SYSTEM

Aluminium composite materials/ Terracotta/ Vitreous enamel (Heavy gauge or Light gauge)

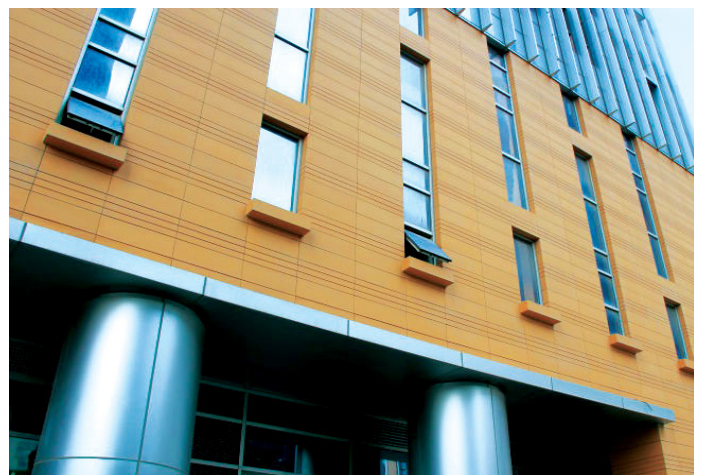
The application of one material over another to provide skin or layer intended to control the infiltration of weather elements, or for aesthetic purposes.



Open Joint System



Sealed System

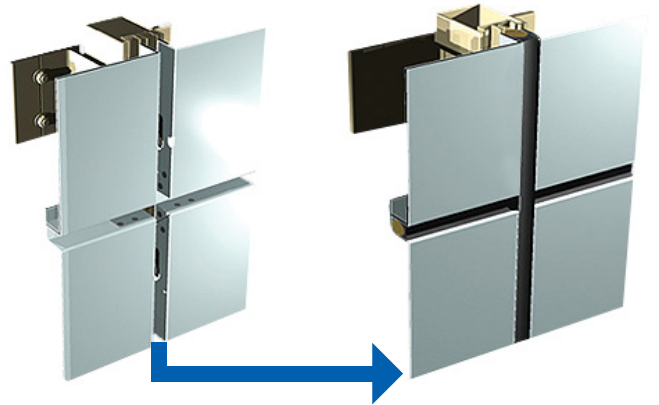


Ventilated System

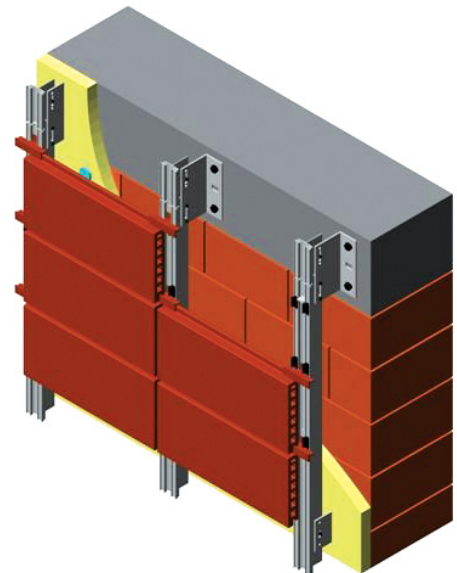
Open Joint System



Sealed System



Ventilated System



ARCHITECTURAL FEATURES

Fabrication of custom architectural features.



Metal Canopies



Glass Skylights



Sunshades / Fins

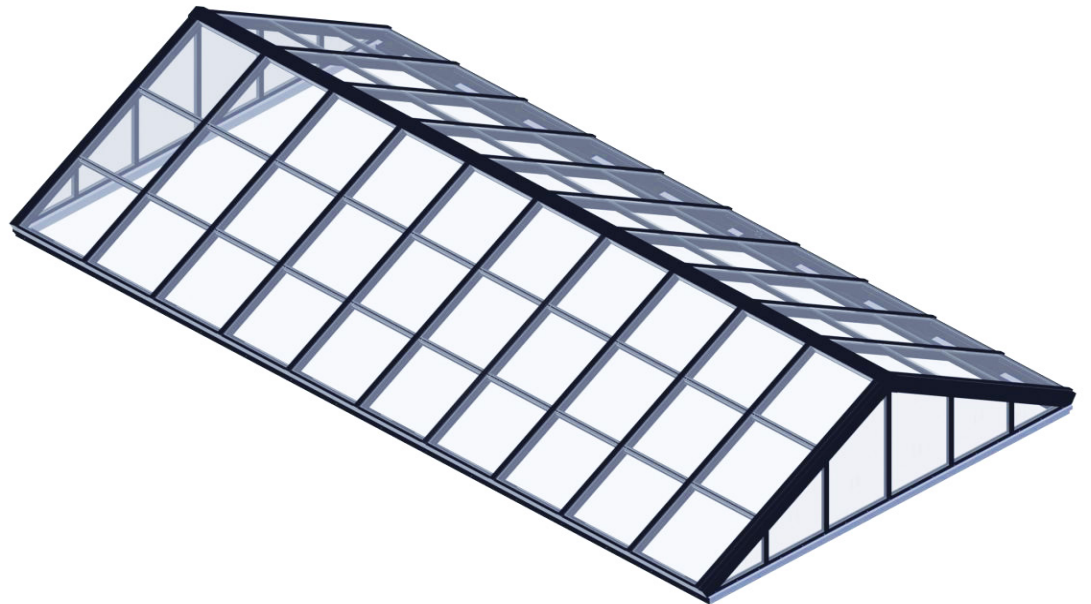


Trellises / Louvre Screen

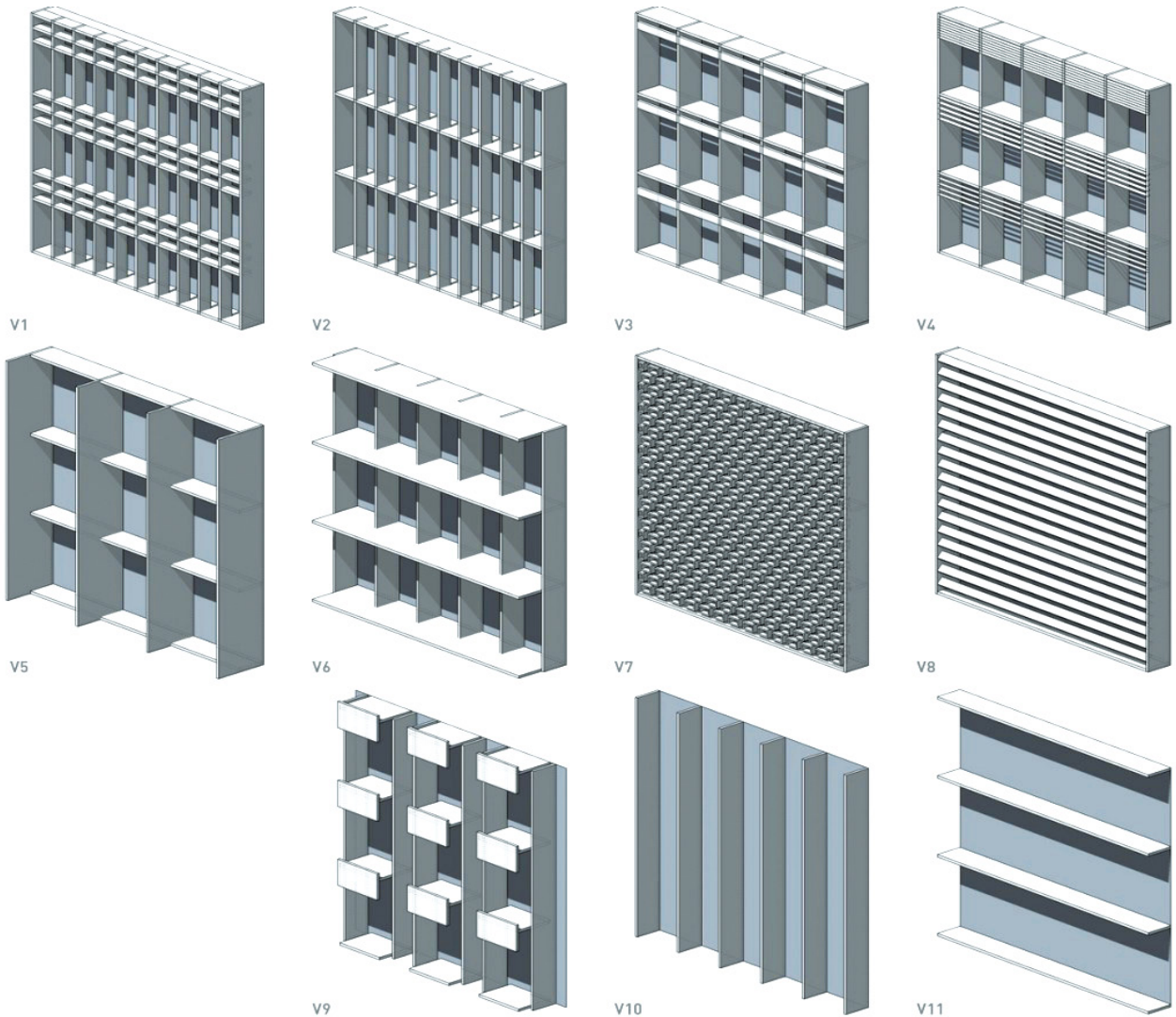
Metal Canopies



Glass Skylights



Sunshades / Fins



Trellises / Louvre Screen



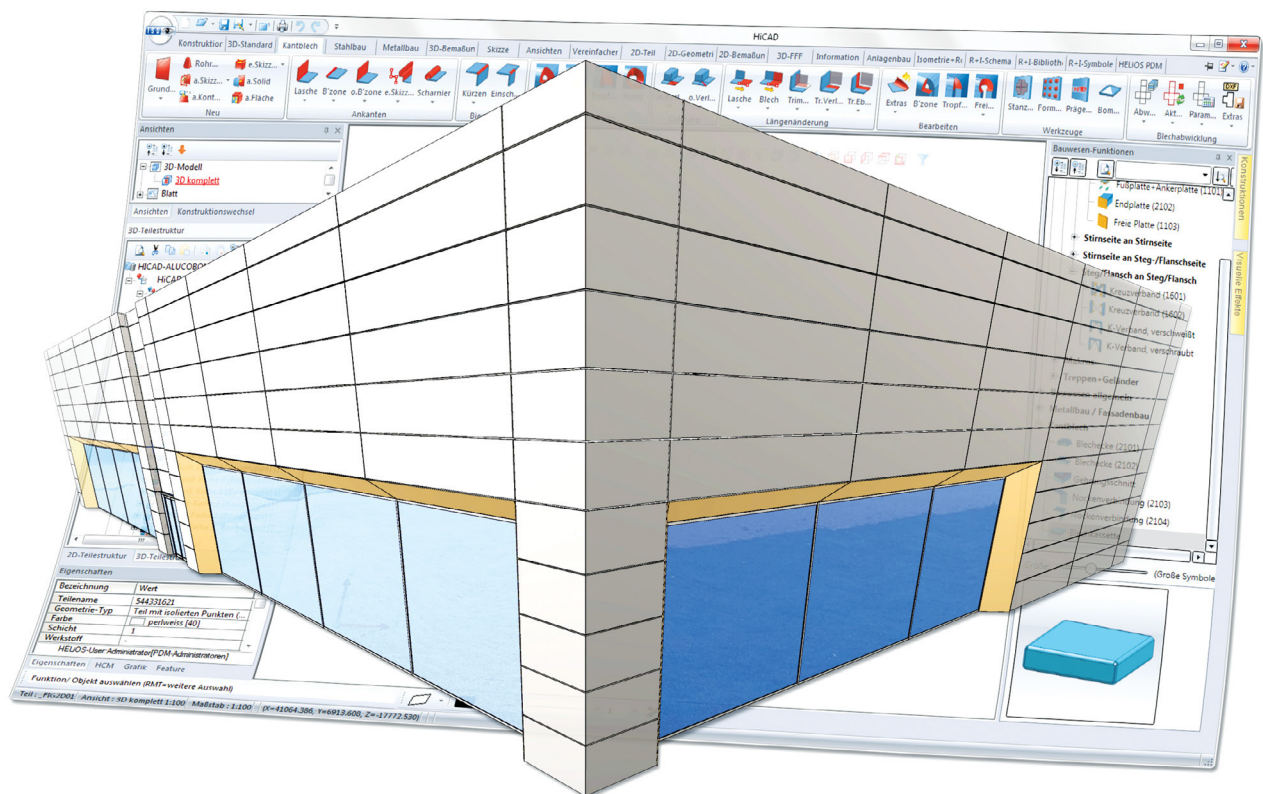
ALUMINIUM PERFORMANCE LOUVERS



Performance louvers provide ventilation whilst maintaining rain defense into the building when high winds and rain combines. The system balance the rain defense and aerodynamic performance so that maximum airflow can be achieved with the highest rain defense possible. It can be available in Single and Double bank with a wide range of colors and finishes.

DESIGN & ENGINEERING

Structural engineering of facade systems includes structural design of cladding systems, specialist engineering analysis of complex 3-D or lightweight facade structures. Glass, terracotta, timber, GRC and membrane facades are examples of some of the elements that require specialist design of the structure and the implication onto primary building structural frame.





The coordination between structure and facade components is essential to avoid construction issues caused by incompatible movement and tolerances between structural frame and cladding elements. The structure-facade interface is especially critical in tension and lightweight structures where the deflection and impact of high reaction and movement sensitivity are paramount.

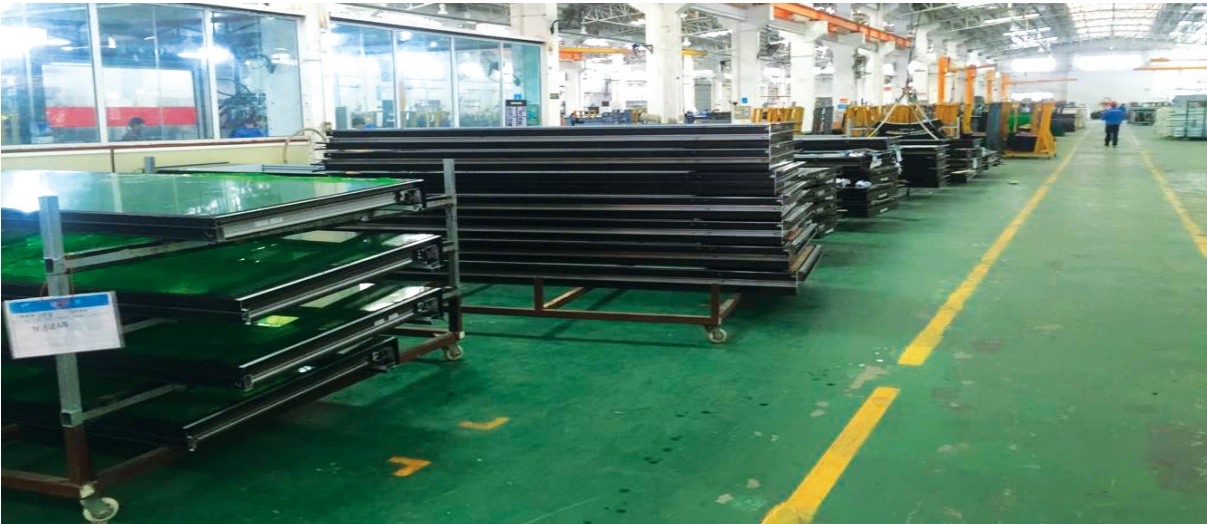
FACTORY & FACILITIES

Factory Address: Danzao Town, Foshan China

Factory Size: 40,000 Sqf

Scope: Fabrication of curtain wall, window & doors, cladding, architectural features





PROJECT REFERENCE



M463

Project: 463 Macpherson Road

Architect: Suiyng Metropolitan Studio Pte Ltd

Scope of Works: Unitized Curtain Wall, ACP Cladding, Metal Canopy, Roof Trellis

Completion: 2015



UBER 388 CONDOMINIUM

Project: Uber 388 Condominium

Architect: ADDP Architects LLP

Scope of Works: Glass Curtain Wall, Aluminium Windows & Doors, Glass Railings

Completion: 2015



NO. 1 SUITE CONDOMINIUM

Project: No. 1 Suite Condominium Project at Geylang Lor 20

Architect: JGP Architects

Scope of Works: Aluminium windows with LOW-E glass, Aluminium Trellis

Completion: 2016



SKY GREEN CONDOMINIUM

Project: Sky Green Condominium

Architect: SAA Architects

Scope of Works: Aluminium Windows & Doors, Louver Screen, Glass Railings

Completion: 2016



BOON KENG 66KV SUBSTATION

Project: Boon Keng 66KV Substation

Architect: Zarch Architects

Scope of Works: Precast Facade Panels, Performance Louvers, Perforated Cladding

Completion: 2017



PEOPLE'S BUDDHISM STUDY SOCIETY

Project: People's Buddhism Study Society

Architect: Arya Architects

Scope of Works: Aluminium Cladding, Aluminium Windows, Aluminium Canopy

Completion: 2015



LOYANG WAY BUS DEPOT

Project: Loyang Way Bus Depot

Architect: d' Arclub Architects

Scope of Works: Aluminium louvers, aluminium glass windows

Completion: 2015



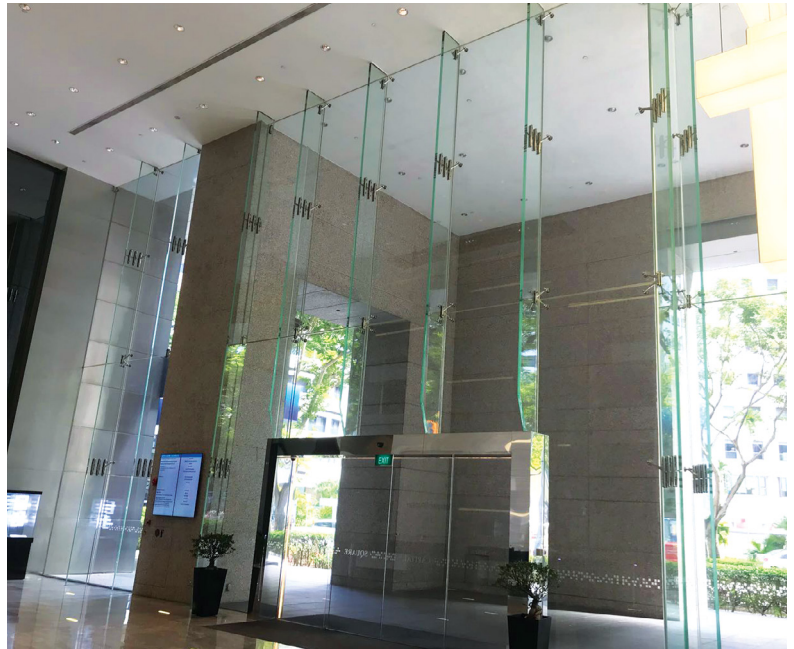
ORCHARD HOTEL SHOPPING MALL

Project: Orchard Hotel Shopping Mall

Architect: DP Architects

Scope of Works: Unifized Curtain Wall, Aluminium Canopies

Completion: 2015



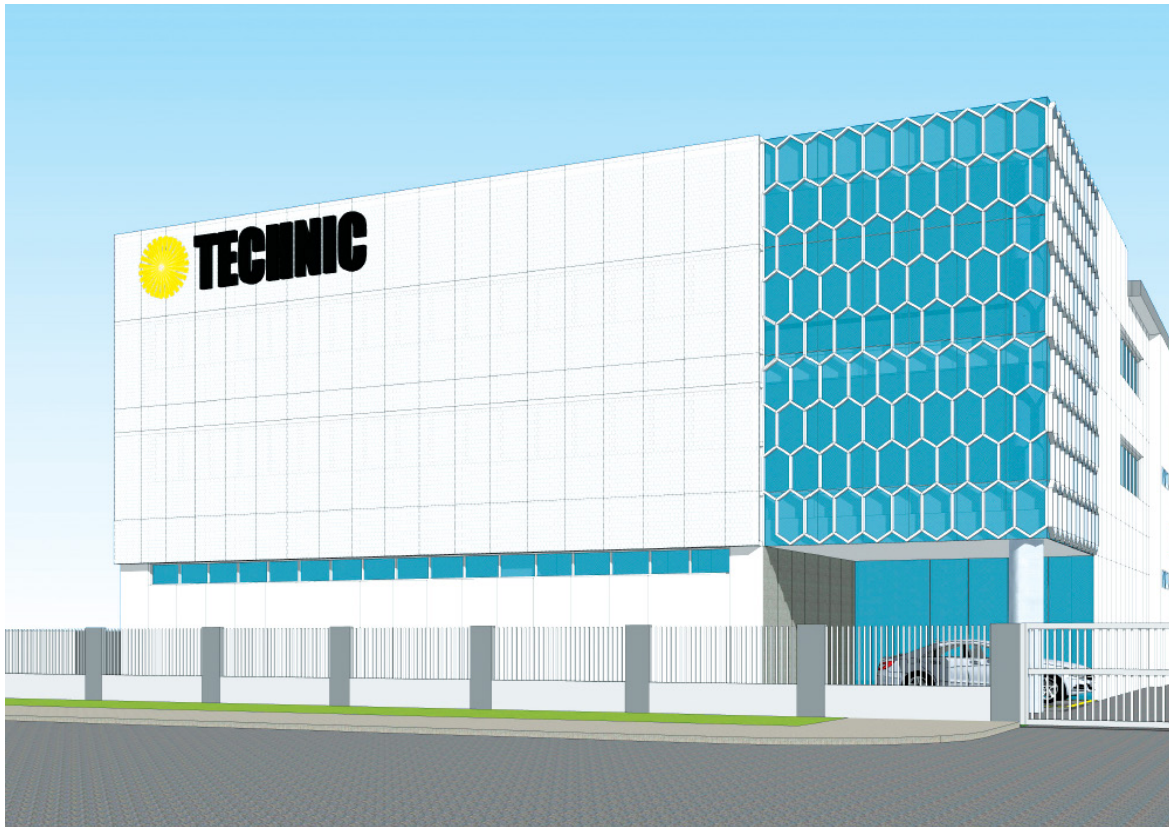
A&A TO CAPITAL SQUARE

Project: A&A to Capital Square

Architect: designphase architects

Scope of Works: Point Supported Glass Curtain Wall

Completion: 2014



TECHNIC HQ

Project: Technic HQ

Architect: Atelier Design Architects

Scope of Works: Curtain Wall with Low-E Glass, Aluminium Feature Fins, Perforated Cladding

Completion: 2018

CONTACT US TODAY!



SGFE

W I N D O O R & F A C A D E

SG Facade Engineering Pte Ltd

22 Sin Ming Lane #06-76,
Singapore 573969

☎ +65 6900 0872 | 📠 +65 6460 0190 | 📱 +65 9177 0633
✉ sales@sgfe.com.sg | 🌐 www.sgfe.com.sg



BCA Registered Contractor

An ISO 9001:2015
Certified Organisation

FAST MOVING COMPANIES™